

# PPC-Z433

43"IP69K Waterproof Stainless Steel 316 Touch Panel PC with Intel® Pentium® N4200 Processor



## Features

- 43" Full HD LCD Panel with P-Cap touch or Food Grade Acrylic
- Stainless Steel 316, IP69K Waterproof with M12 I/O Connectors
- Food Processing Grade Product Design for Food Processing Factory Application
- Support Pipe Mounting / VESA Mounting

## Applications

- Food Manufacturing Process control
- MRP Dashboard in Food Factory
- Food & Beverage Manufacturing Training & certification courses
- Outdooring Application

## ➔ Packing List

Description
1 x PPC-Z433

## ➔ Optional Items

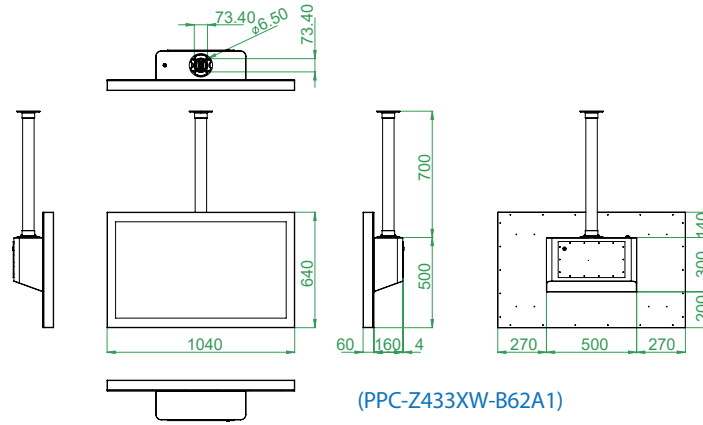
Part No.	Description
AWD-WF006	wifi 802.11 b/g/n/BT4.0 (2T2R) + 2 IP66 antenna(dual band), mini PCIe Half size
AWD-WF007	wifi 802.11 b/g/n/BT4.0 (1T1R) + 1 IP66 antenna(dual band), mini PCIe Half size
APW-60M12V-01	12V, 60W, 5A, 5-pin M12 Connector (US)
APW-60M12V-02	12V, 60W, 5A, 5-pin M12 Connector (EU)
AKT-USB2M12	M12 Connector to USB Cable, 2m
AKT-COM2M12	M12 Connector to DB9 Cable, 2m
AKT-VGA2M12	M12 Connector to DB15 Cable, 2m
AKT-LAN2M12	M12 Connector to LAN Cable, 2m

## ➔ Ordering Information

Part No.	Description
PPC-Z433PW-B61A1	43" 16:9 (1920 x 1080), 450nits, Stainless Steel 316 Full IP66/69K Protection, Fanless Panel PC with Intel® Pentium™ N4200 CPU, Projected Capacitive Touch, 4G RAM, 128G SSD, 1 VGA, 2 USB 2.0, 1 RS-232, 1 RS-232/422/485, 2 GbE (M12 Connector), AC 100-240V (IP connector), VESA mount
PPC-Z433XW-B62A1	43" 16:9 (1920 x 1080), 450nits, Stainless Steel 316 Full IP66/69K Protection, Fanless Panel PC with Intel® Pentium™ N4200 CPU, without Touch, 4G RAM, 128G SSD, 2 USB 2.0, 1 RS-232, 1 GbE, AC 100-240V, Pipe mount, with 70cm 304 Stainless Steel pipe

# PPC-Z433

## → Dimensions



## → Specifications

Model		PPC-Z433PW-B61A1	PPC-Z433XW-B62A1
Processor System	CPU	Intel® Pentium® N4200	
	Frequency	Quad-Core up to 2.5 GHz	
	L2 Cache	2 MB	
	System Chipset	N/A	
	BIOS	UEFI	
Memory	Technology	DDR3L 1866 MHz SDRAM	
	Max. Capacity	Up to 8 GB	
	Socket/ (On Board)	Dual SO-DIMM Socket	
Display	Panel Size	42.51" LCD Panel	
	Aspect Ratio	16:9	
	Resolution	1920 x 1080 (FHD)	
	Viewing Angle	89 x 89 (H) x 89 x 89 (V)	
	Brightness	450 (cd/m2)	
	Contrast Ratio	500:1	
	VGA / HDMI / DP / DVI	1, VGA (M12 Connector)	1, VGA (Option) / 1, HDMI 1.4b (Option)
	Multi Display	LCD + VGA	LCD + VGA or LCD + HDMI
Touchscreen	Touchscreen Type	Projected Capacitive	
	Surface Hardness	6H	
	Durability	100 millioms times	
	Transparency	85% (±5%)	
I/O Interface	USB	2, USB 2.0 (M12 Connector)	2, USB 2.0, with 2m USB 2.0 Cable
	Serial Port	2, COM (1 RS-232, 1 RS-232/422/485) (M12 Connector)	1, COM (1 RS-232), with 2 meter DB9 Cable
	Digital I/O	N/A	
	Ethernet	Dual GbE, 10/100/1000 Mbps (Intel i211AT) (M12 Connector)	Signle GbE, 10/100/1000 Mbps (Intel i211AT), with 2 meter LAN Cable
	Others	N/A	
Expansion	miniPCIe/ M.2 Slot	1 Mini PCIe (Full-size), 1 M.2 Slot	
	PCI/ PCIe Slot	N/A	
Audio	Connector	Line out	
Storage	HDD/SSD	1 Internal 2.5" HDD/SSD	
	mSATA/ M.2 / eMMC	1 M.2 M/B key 2242 Slot	
Power	Power On Model	AT/ATX	
	Power Supply Voltage	100-240V AC input	
	Connector Type	IP67 AC connector	2 meter AC cable
	Power Consumption(Typical/Max.)	Typical: TBD , Max: TBD	
	Battery	Lithium 3 V / 210 mAH	
Mounting	VESA Mount	400 x 300 mm	N/A
	Panel Mount	N/A	N/A
	Others	N/A	Pipe Mount, Height 700mm
Environment	Operating Temperature	0~50° C (32~122°F)	
	Storage Temperature	-20~60°C (-4~140°F)	
	Humidity	5~95% @ 40° C, Non-condensing	
	Vibration	1 Grms, IEC 60068-2-64, random, 5~500 Hz, 1 Oct/min., 1hr/axis, x, y, z 3 axes	
	Shock	20 G, IEC 60068-2-27, half sine, 11 ms duration	
General	Certification	TBD	
	Thermal Dissipation	Fanless	
	Material, Surface Finish	Stainless Steel 316, Brushed	
	Ingress Protection	Full IP66/69K Protection	
	Dimensions (L x W x H)	TBD	1040 x 640 x 224 mm
	Net Weight	TBD	
	Operating System	Windows 10 IoT, Window 10 Professional, Linux uBuntu 18.04	