

R15L100-VMC3HB

15" G-WIN Vehicle Mount Display



KEY FEATURES

- High Quality 15" XGA panel, 1024 x 768 resolution
- 5 Wire resistive touch screen
- -10 ~ +55°C Wide Range Operating Temperature
- Anti-Corrosion housing with Fanless Design
- Built-in ambient Light sensor
- IP65 Dust & Waterproof Protection (Except I/O ports)
- 9V ~ 36V DC Isolation Wide Range Power Input



SPECIFICATIONS

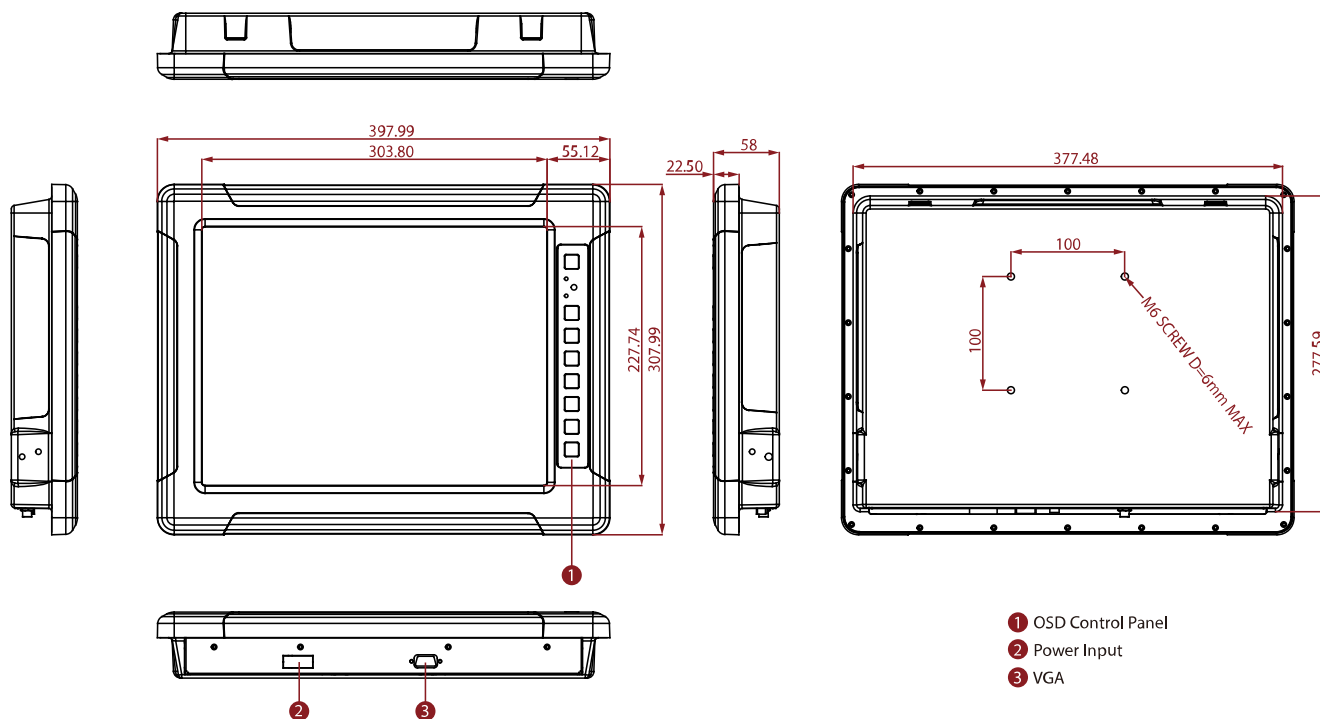
Display	
Resolution	1024x768
Contrast Ratio	2000:1
Display Color	16.2M Colors
Touch / Glass	Resistive Touch Screen Transflective Film for sunlight readable (Optional) AR Glass (Optional)
Size	15.0 inches
Panel Brightness	300 nits
View Angles	88,88,88,88
Environment	
Operating Humidity	10% to 95% (Non-Condensing)
Storage Temperature	-30°C~70°C
Vibration	Operating: 1.62/2.02/2.20g rms for XYZ / 5-500Hz
Operating Temperature	-10°C~55°C
Shock	Operating:40g for 18ms
Certification	
Certification	CE, FCC
IO Ports	
USB Port	1 x USB for Touch Screen (Optional)
Serial Port	1 x RS232 for Touch Screen (Optional)
Video	1 x VGA 1 x DVI (Optional) 1 x S-Video (Optional) 1 x Composite (Optional)
Mechanical	
Dimension	397 x 307 x 58 mm
Enclosure	Metal Housing with Aluminum Bezel
Mounting	VESA Mount
Cooling System	Fanless Design
Accessory	
Accessory	User Manual(Hardcopy) Touch Driver CD 3 Pin Terminal Block AC Adapter Power Cord Mounting Bracket
Power	

Power Rating 9V~36V DC In Terminal Block

Control

Button 8 key:
Power
Menu
Auto
Volume Up/ Swap
Volume Down/ PIP
Brightness Up
Brightness Down
LED Adjustment

DIMENSIONS UNIT:MM



- ① OSD Control Panel
- ② Power Input
- ③ VGA

NOTE

1. This is a simplified drawing and some components are not marked in detail.
2. The product shown in this datasheet is a standard model. For diagrams that contain customized or optional I/O, please contact the Winmate Sales Team for more information.
3. All specifications are subject to change without prior notice.